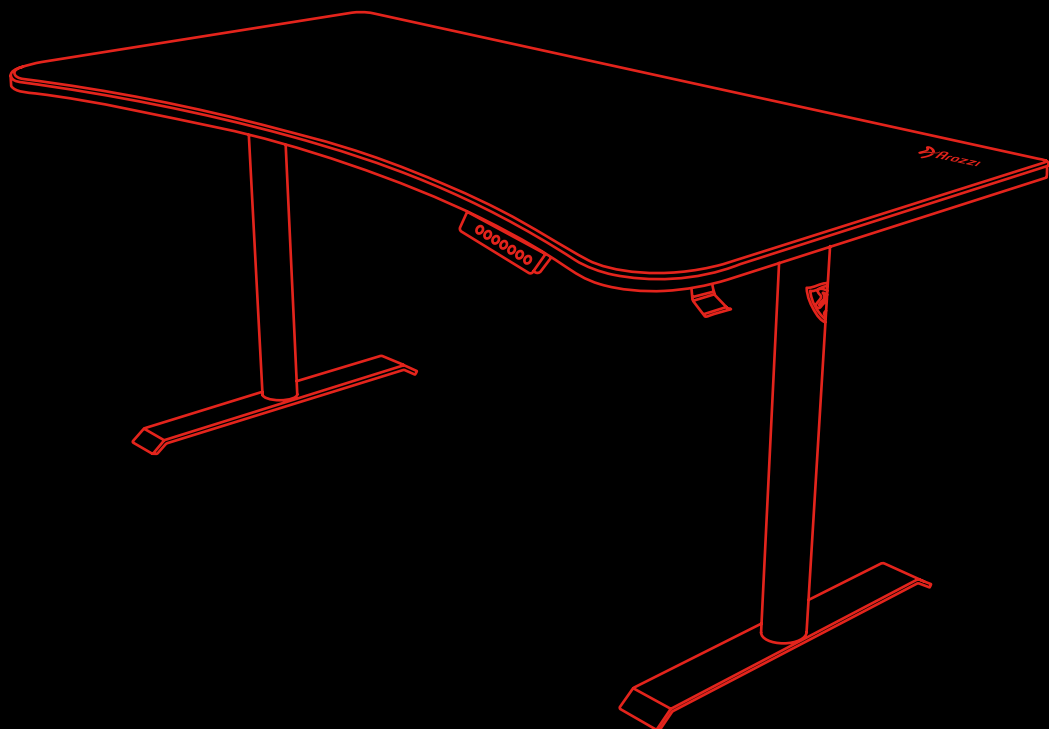
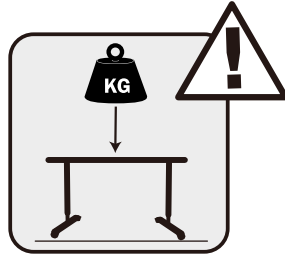
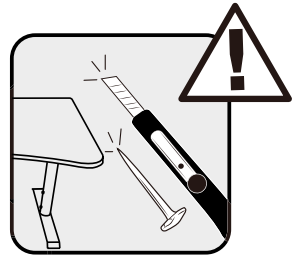
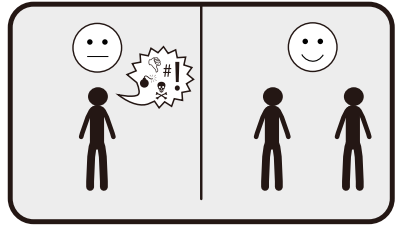
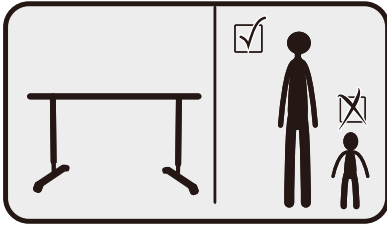
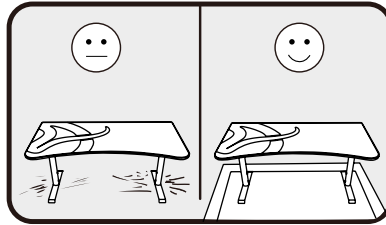
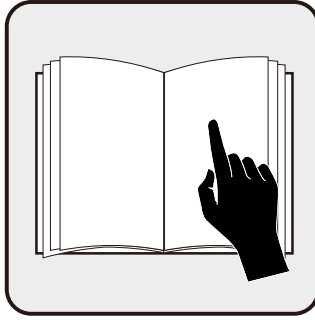
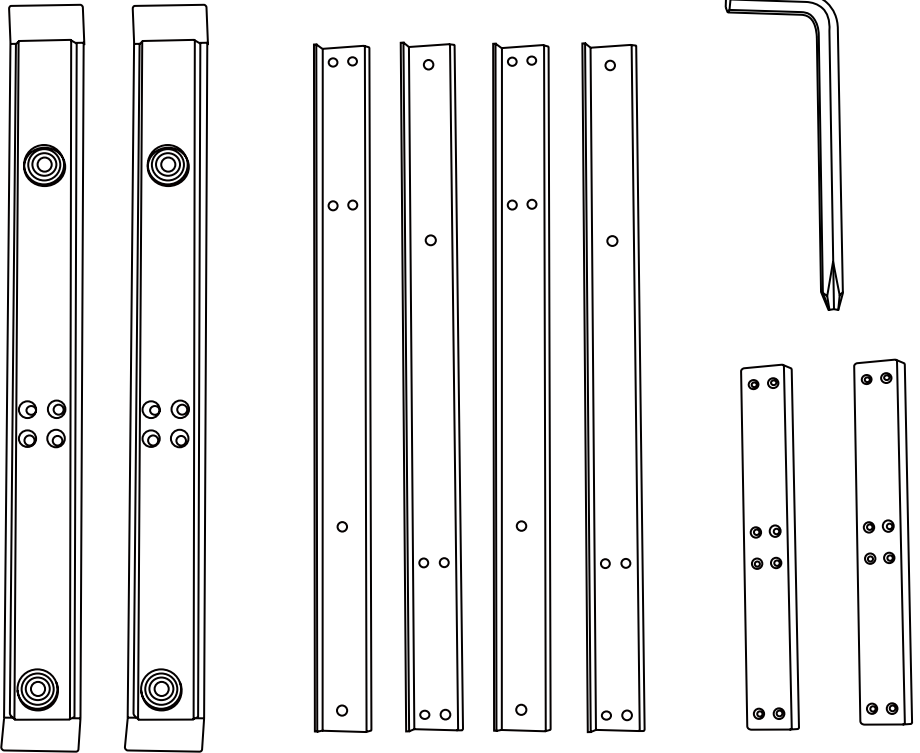
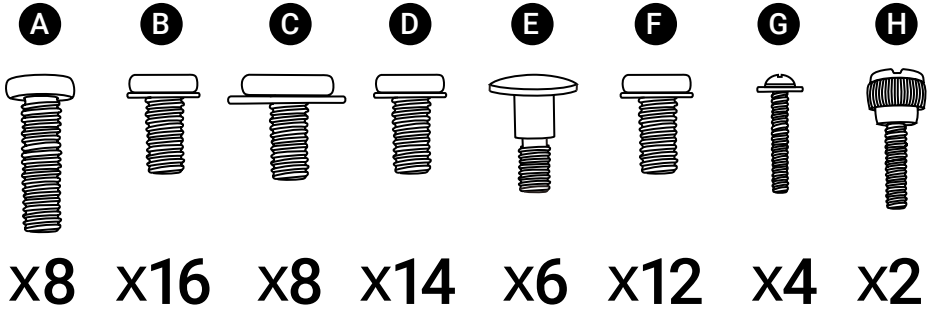


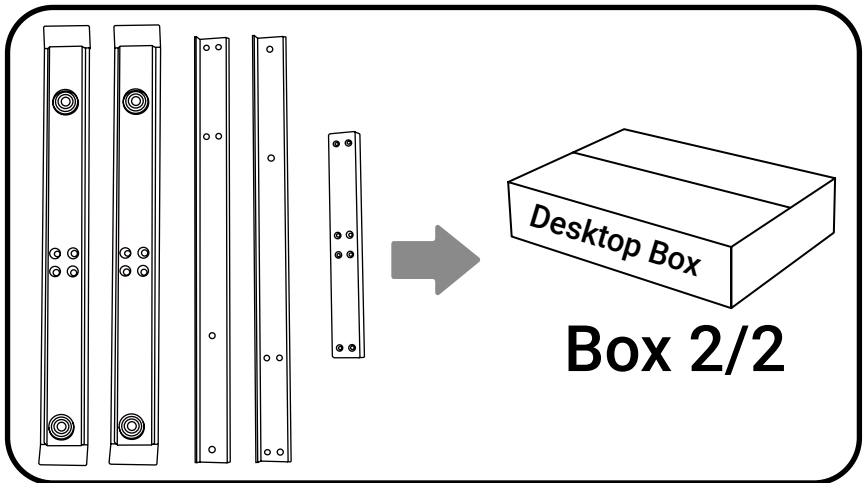
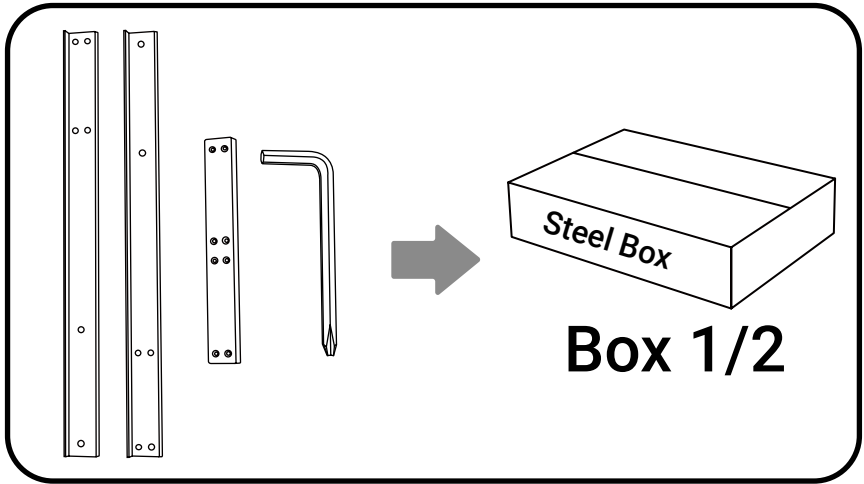
ASSEMBLY GUIDE

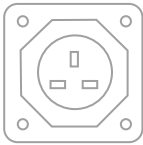
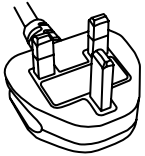
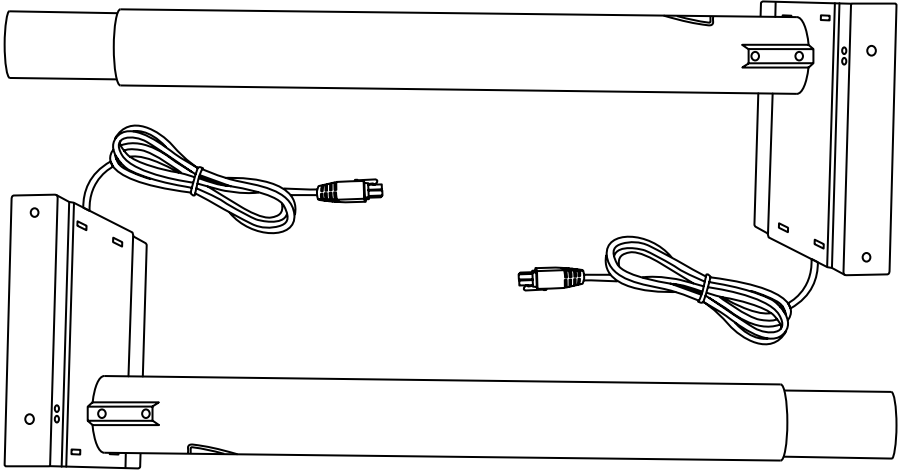
ARENA MOTO 



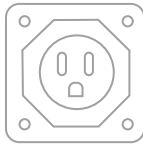
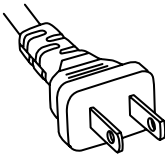




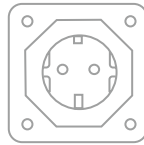
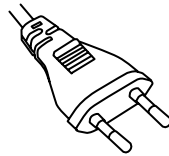




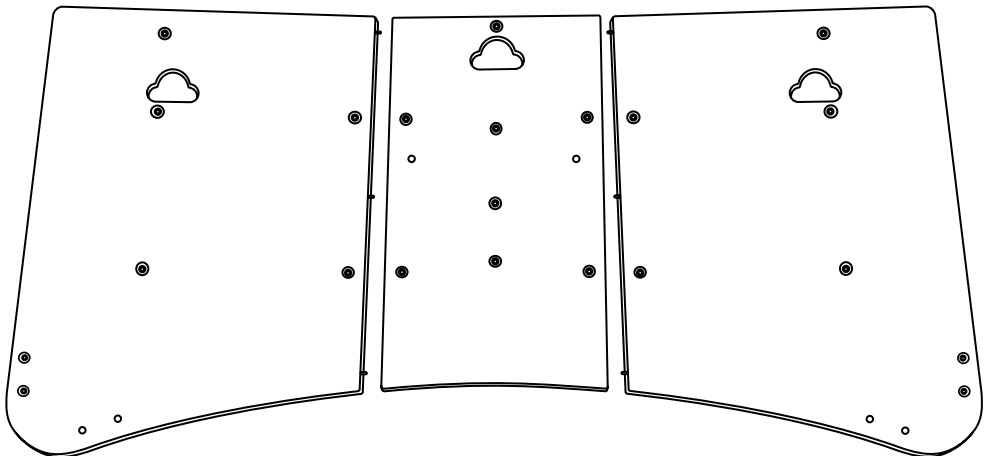
UK

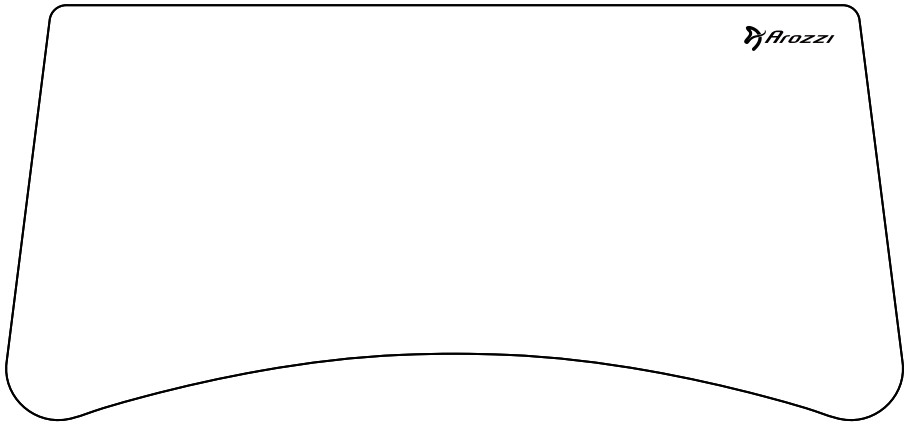
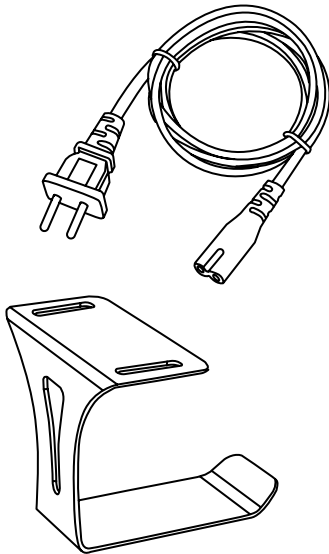
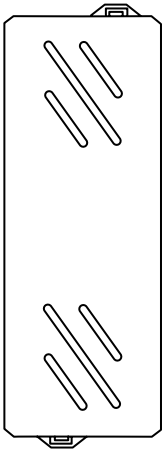
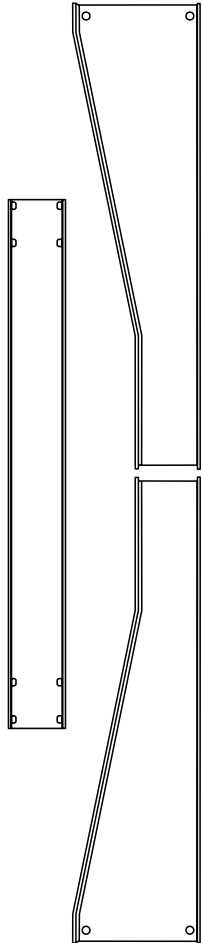
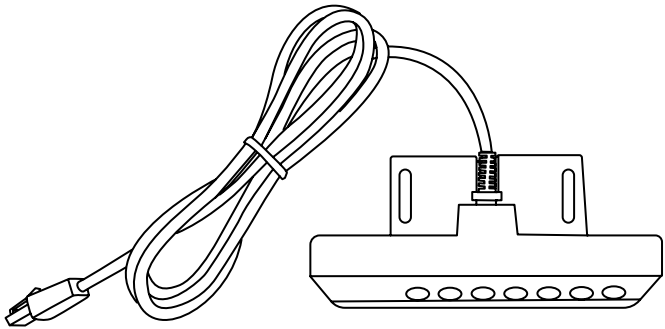


USA

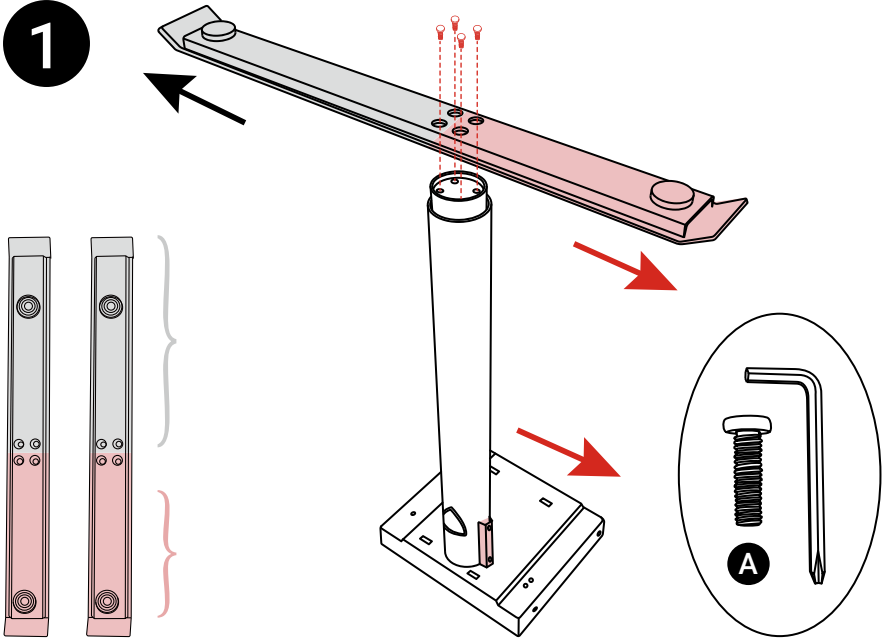


EU

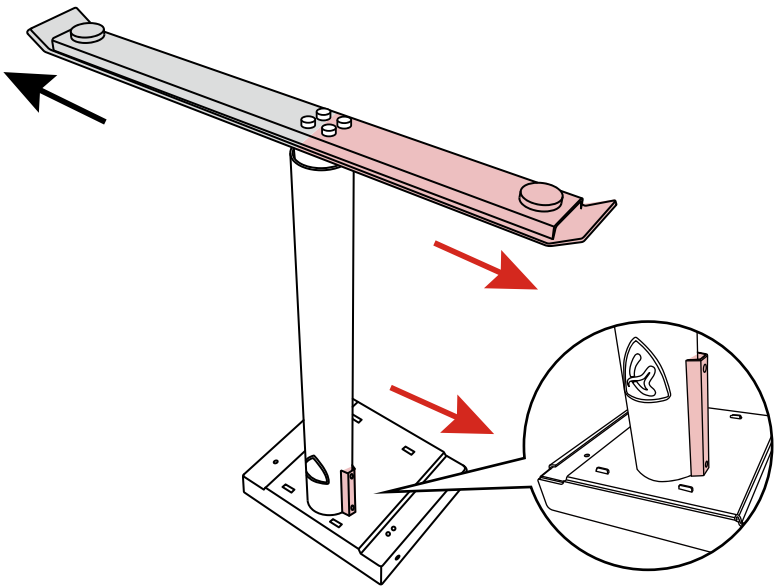


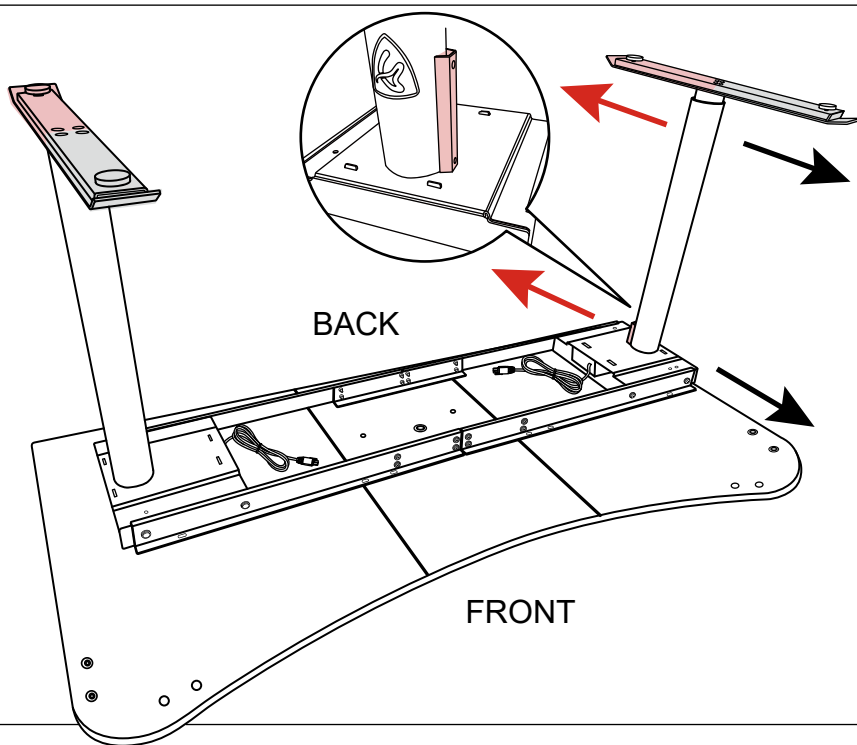


1



2



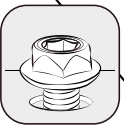
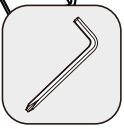
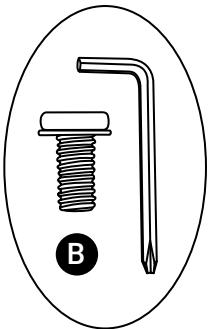
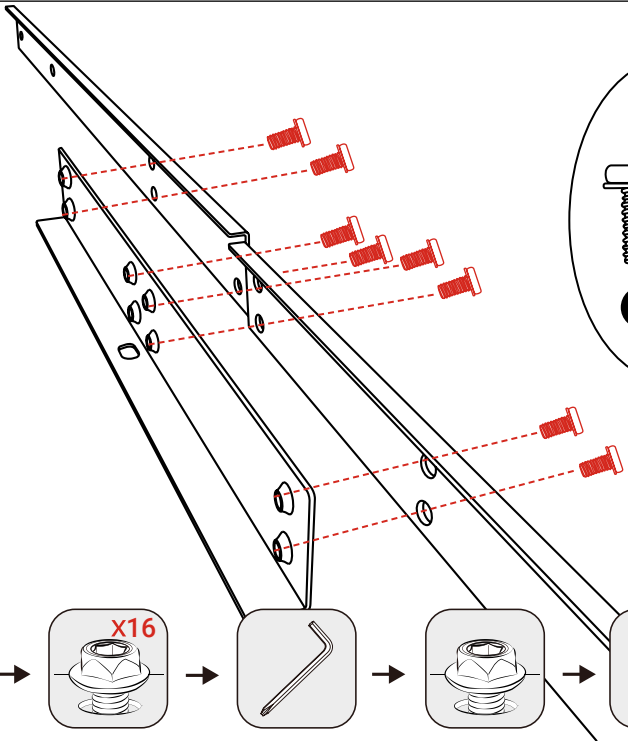


ATTENTION!

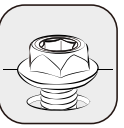
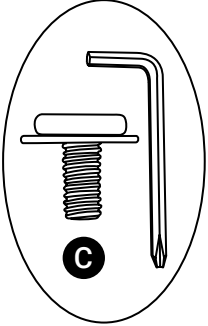
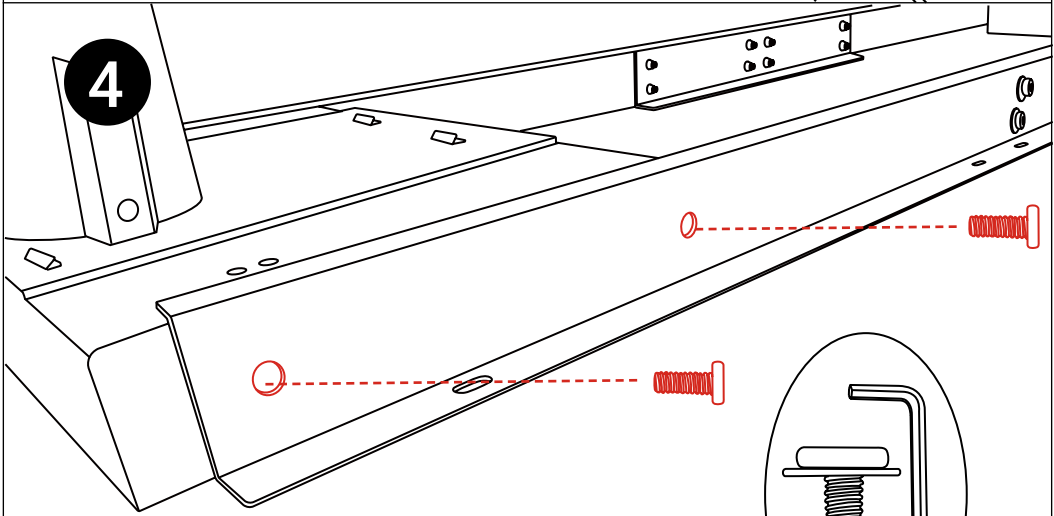
Do not fully screw in the bolts until **step 14**. For more details, look at the video:



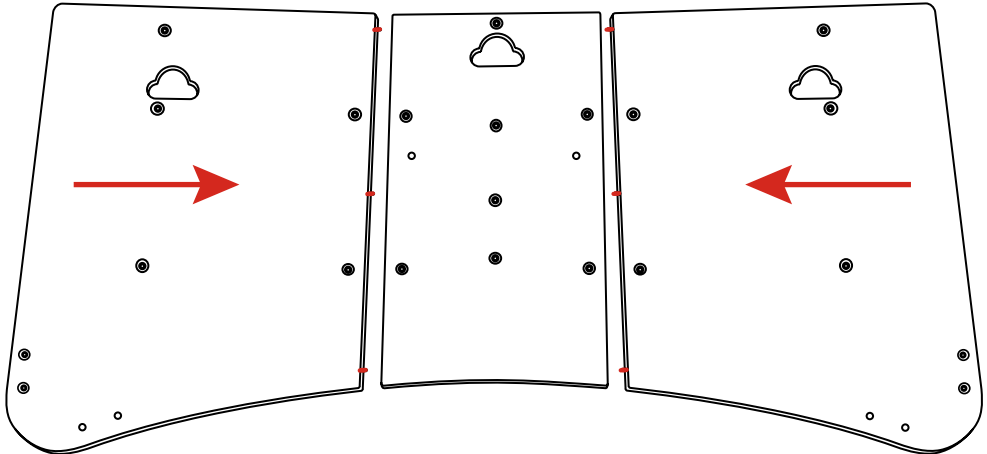
3



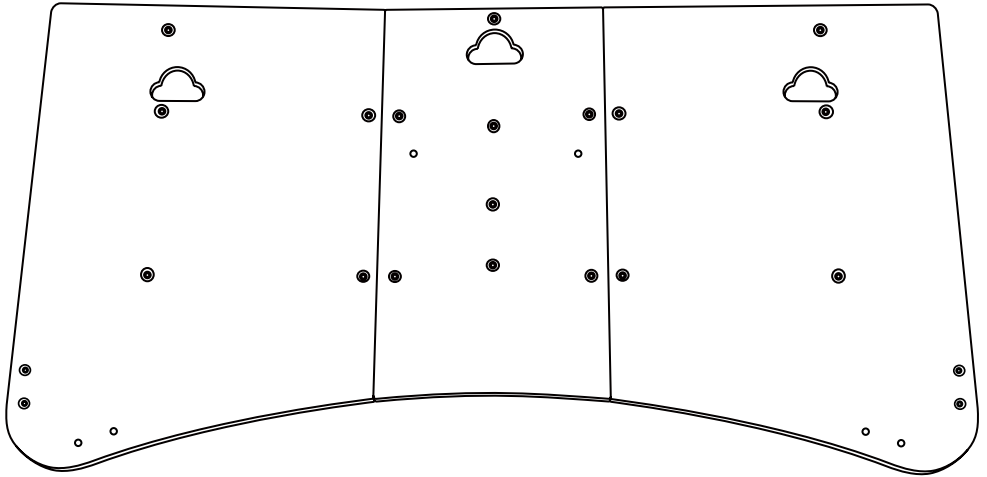
4



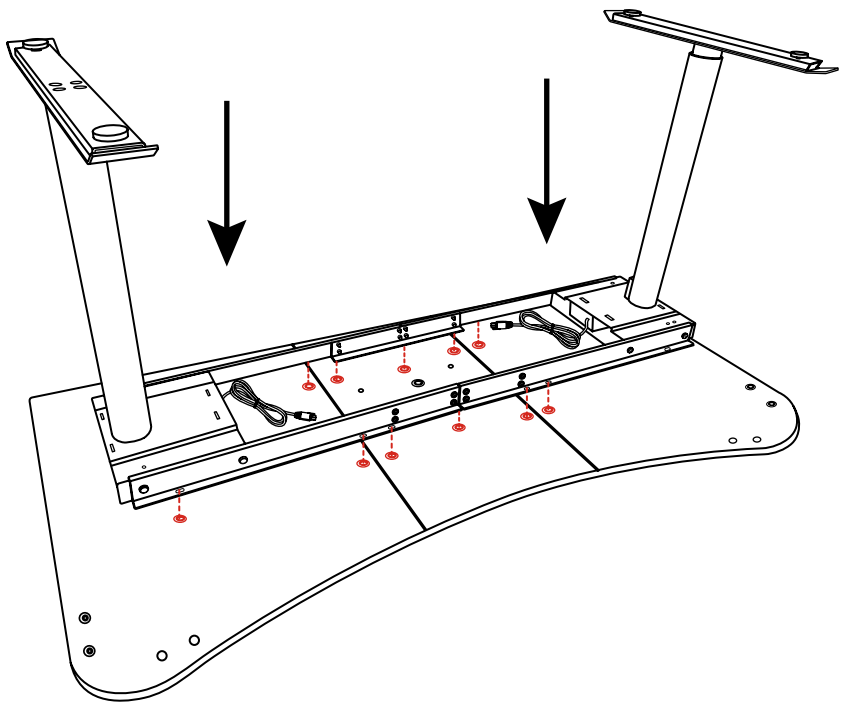
5



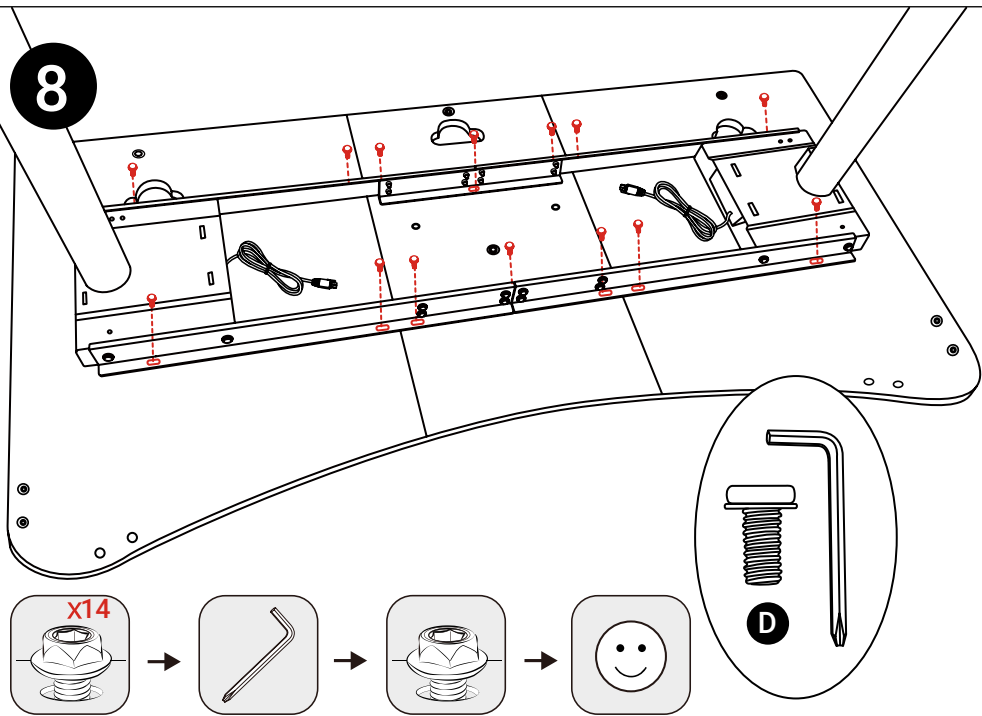
6

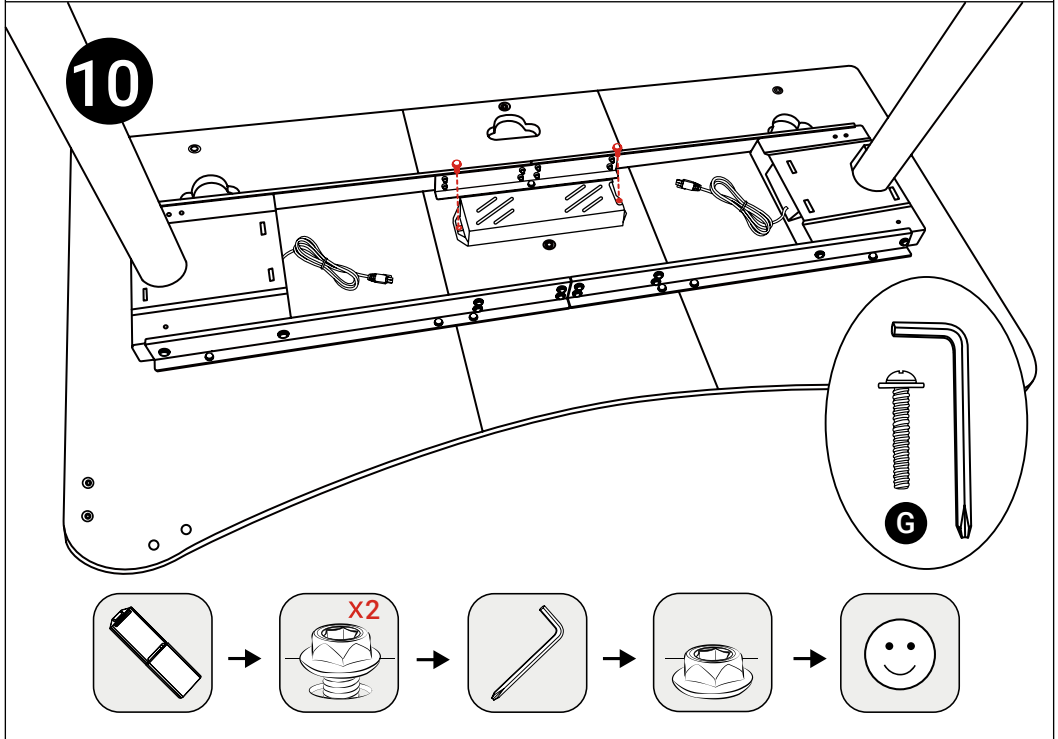
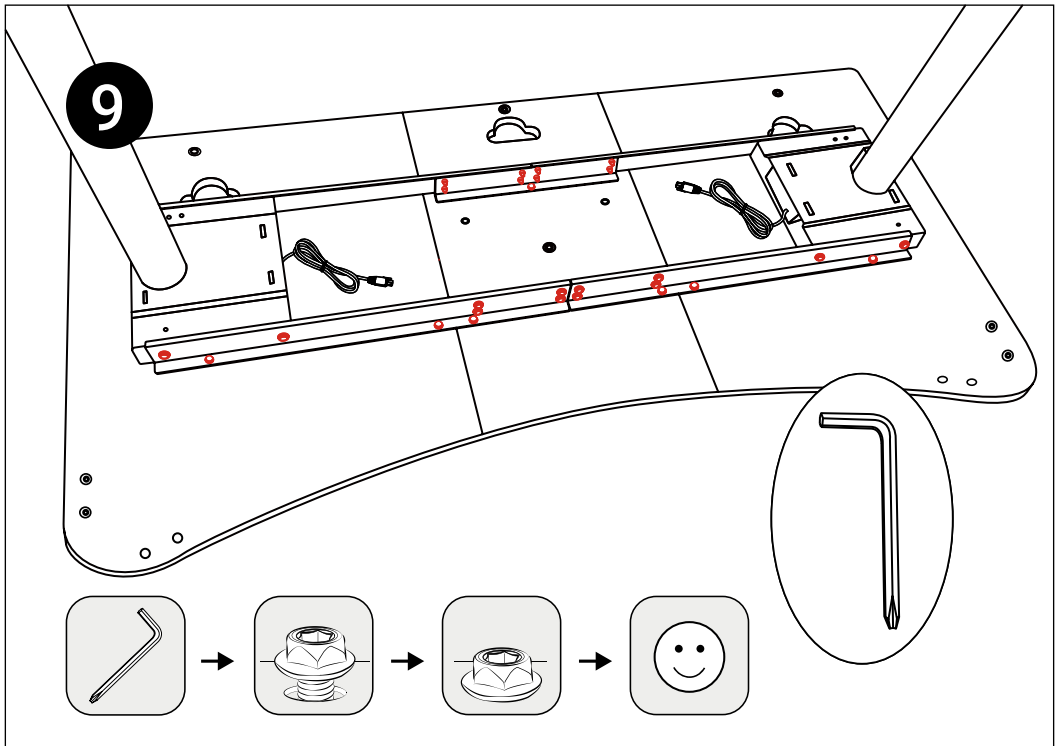


7

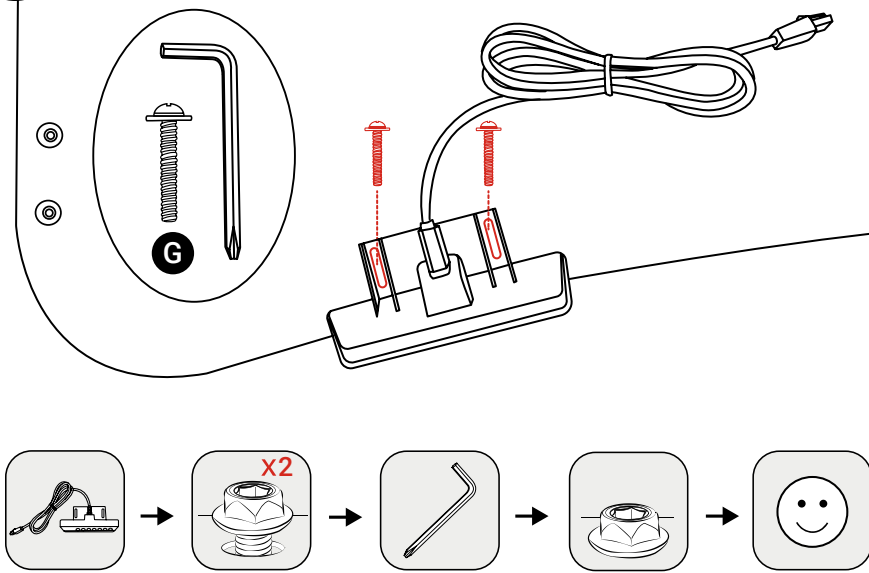


8

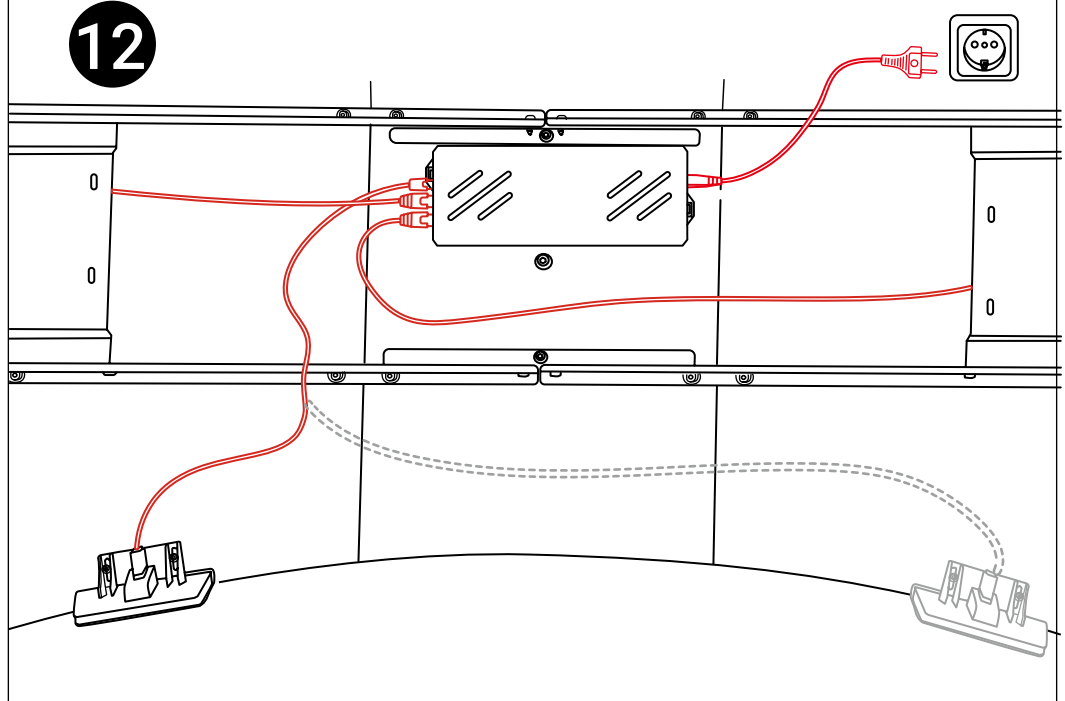




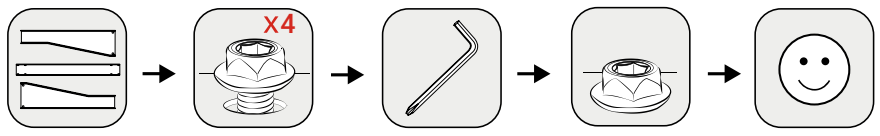
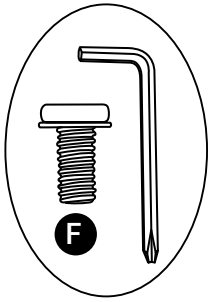
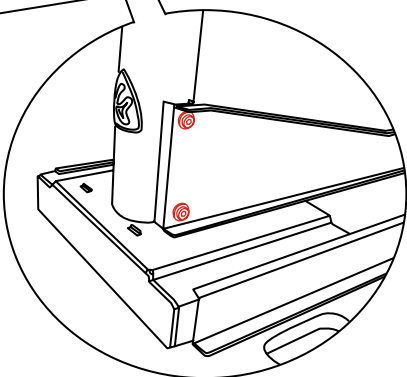
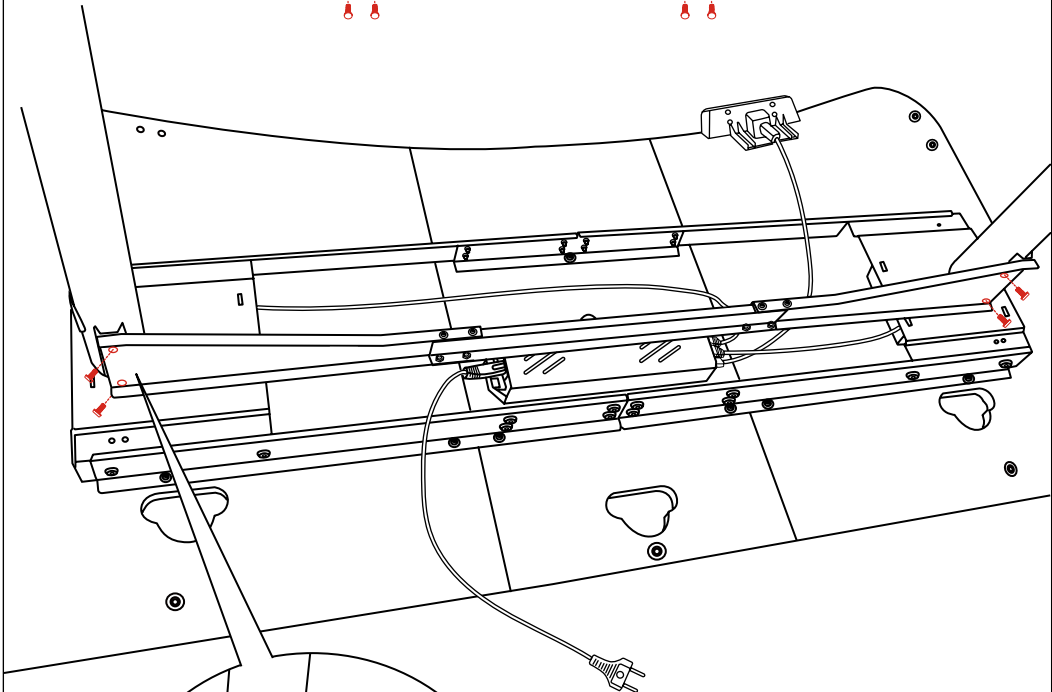
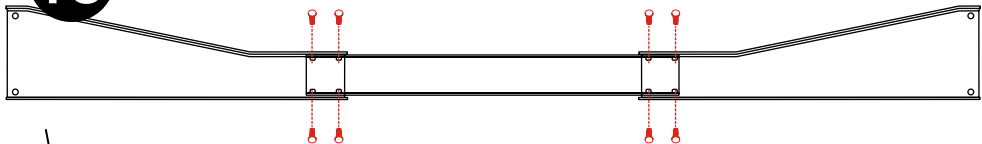
11

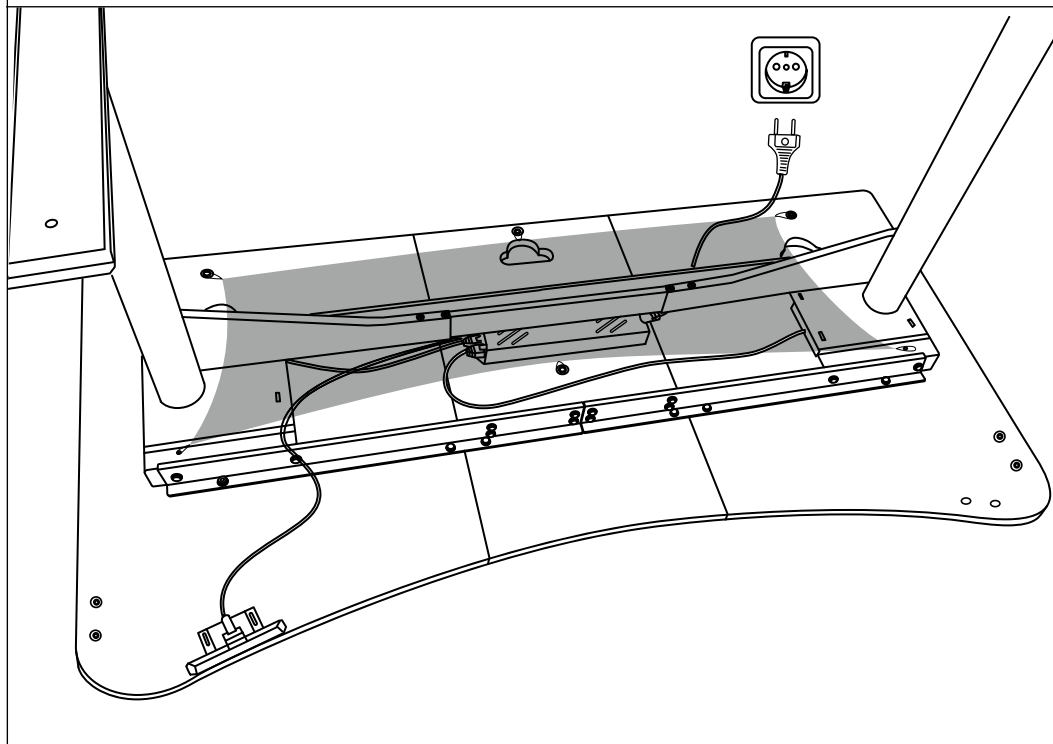
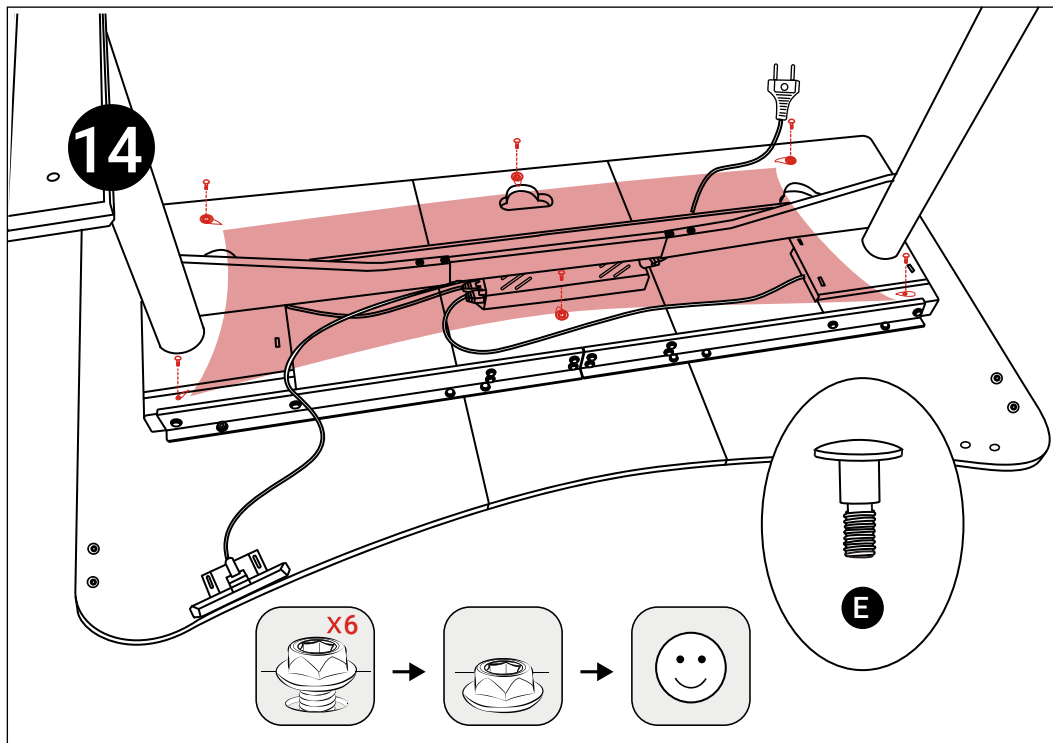


12

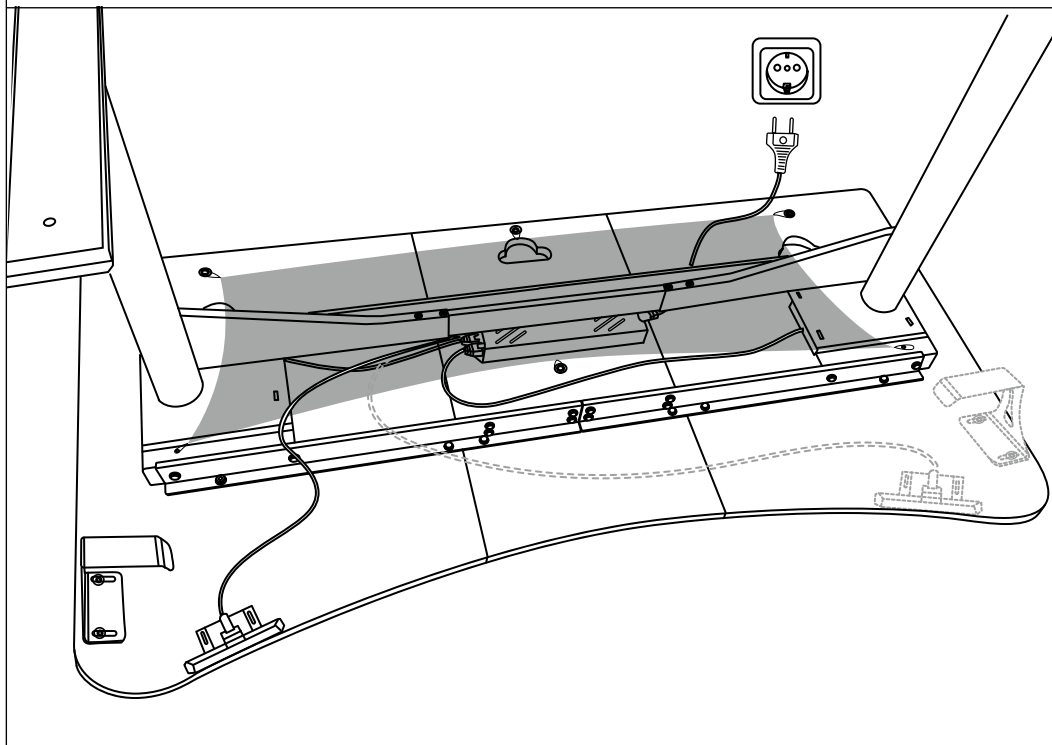
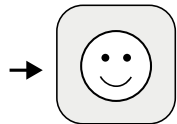
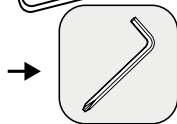
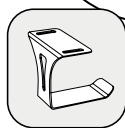
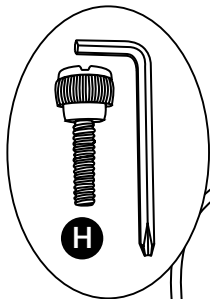
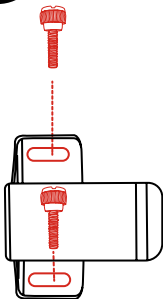


13

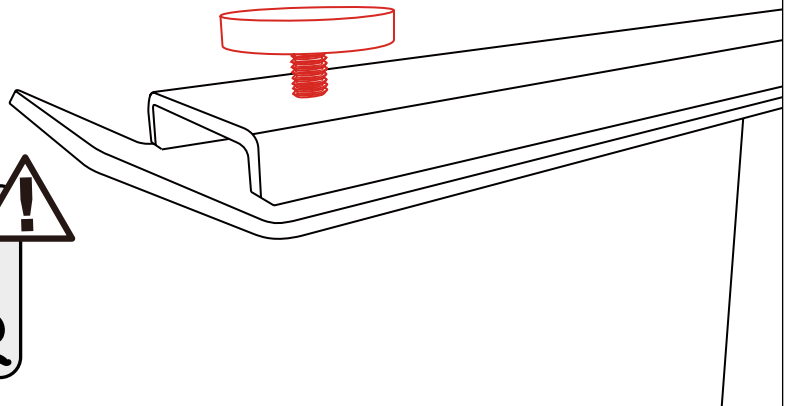
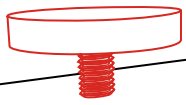
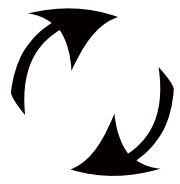




15

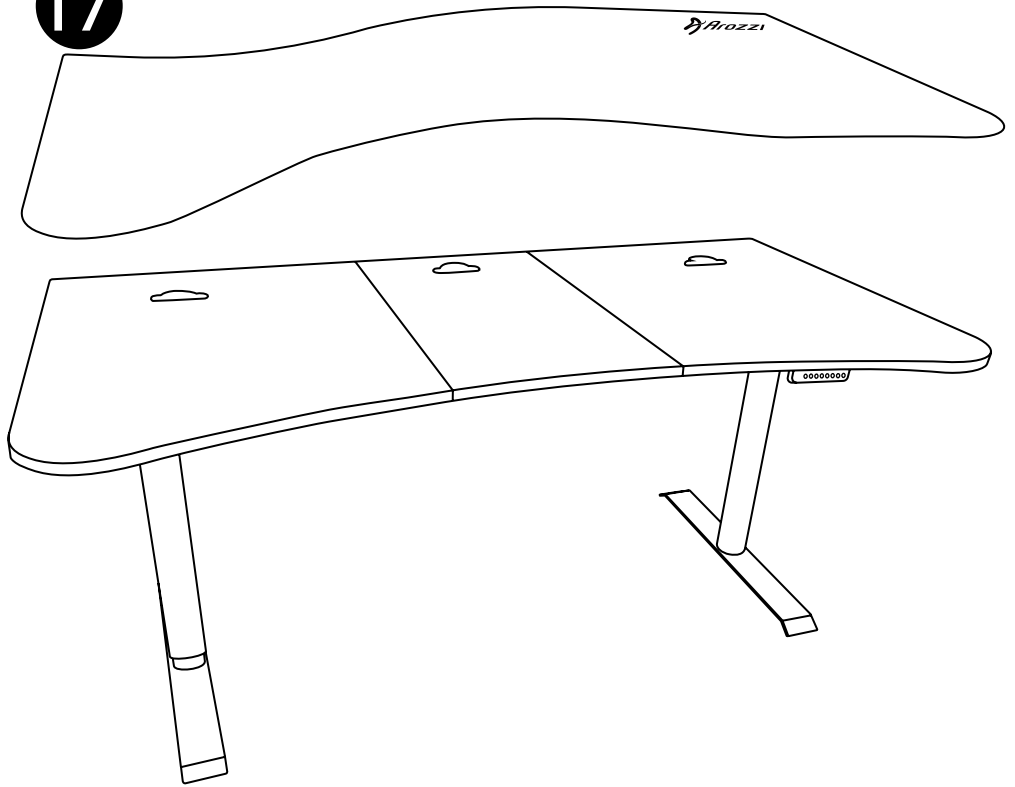


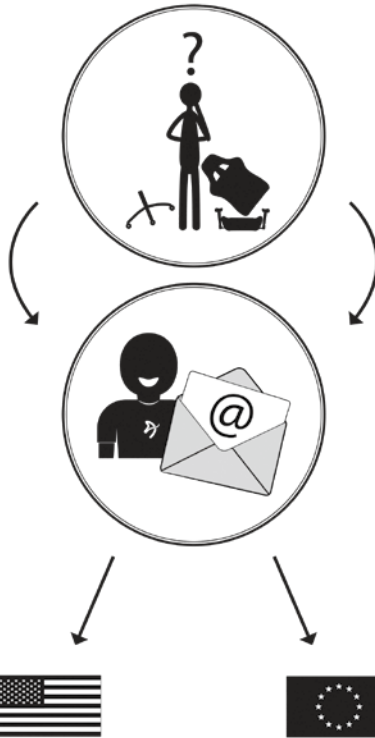
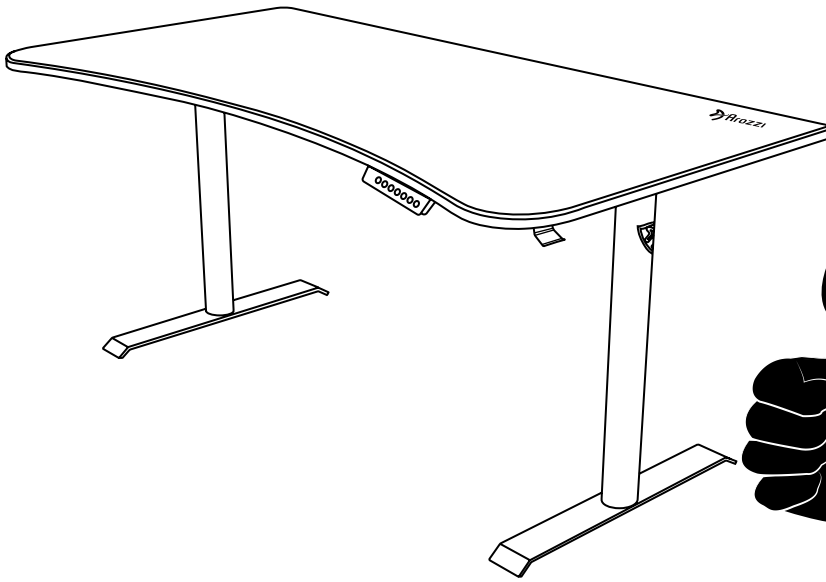
16



17

Arozzi






service@arozzi.com


support@arozzi.com

